



**Herais**  
Lab Solutions

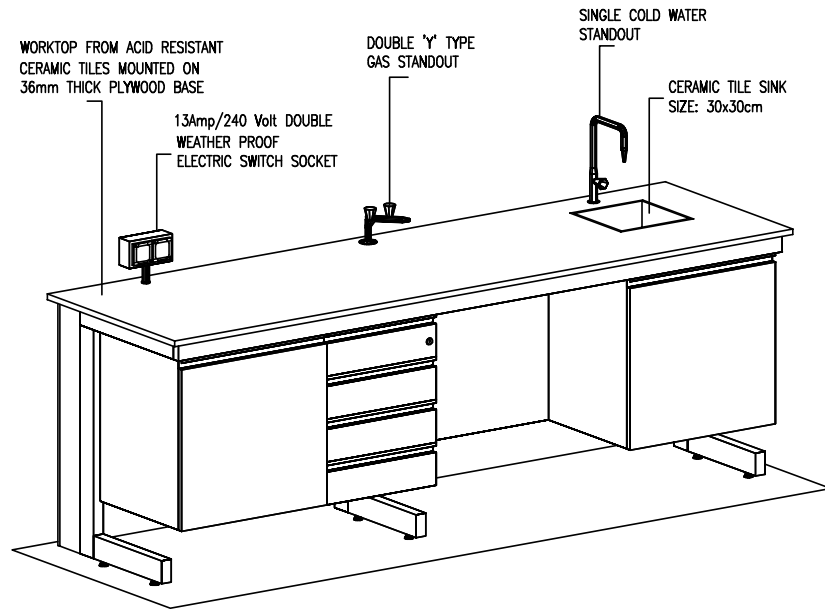
**HERAIS EDUCATIONAL  
LABORATORY FURNITURE SOLUTIONS  
SCHOOL LAB FURNITURE**

## GENERAL SPECIFICATION

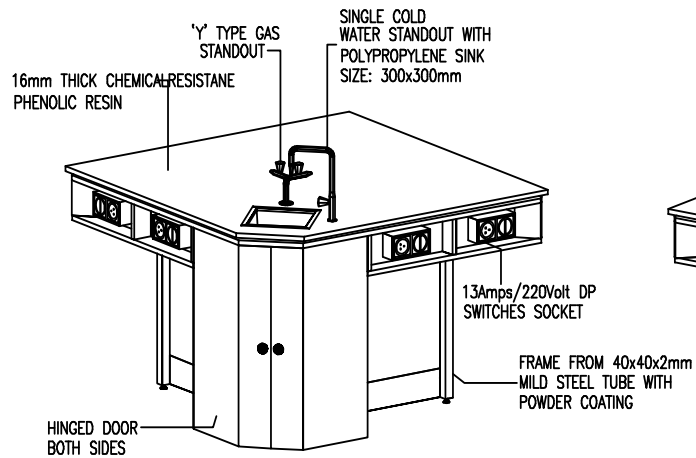
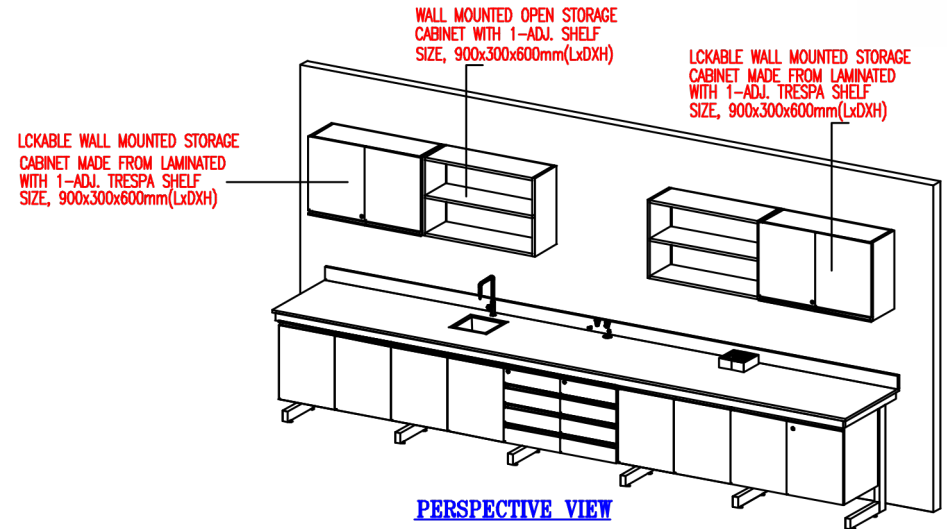
S. No.	Item	Description
1	Surface Work Top	A) 19-25mm thick Epoxy Resin Worktop. B) Phenolic Resin / HPL (Compact Laminate) Worktop (TRESPA TOPLAB).
2	CASEWORK SYSTEM Support Frames	A) Heavy duty C-Frame system (Modular. 60 X 40 X 2 mm thick epoxy powder coated c-frame. B) Heavy duty H-Frame system (Modular). 30 X 30 X 2 mm thick epoxy powder coated C-frame. C) Flooring system. (Cabinets to be direct on the floor).
3	Frame Legs	Adjustable stainless-steel legs, with PP end cap.
4	Cabinets & Drawers	A) 19 mm thick melamine laminated marine plywood, with 2 -3 mm PVC edging. B) 1.25 mm thick epoxy powder coated cold rolled steel sheet or Galvanized sheet. (Double door layers). C) 1.5 mm thick double layer stainless steel 304 grade.
5	Door hinges	All hinges are heavy-duty type, can open up to 90 - 270 degree, Made of Stainless steel with self-closing system.
6	Drawers rails	All drawers rail are heavy - duty type with self - closing system. (One body type).
7	Sinks	A) Epoxy resin sink made by DURCON – USA. B) Anti-bacterial, chemical resistant PP Sink. C) Stainless Steel Sinks.
8	Drainage System	Chemical resistant PP materials (PP Siphon and other accessories).
9	Water Fittings	Water-saver fittings (USA), TOF Fittings (Italy), Broen Fittings (Denmark).
10	Emergency Shower and Eyewash system.	TOF – Italy Or Broen – Denmark.
11	Electrical Sockets, Data Standout.	15 AMP, 50 Hz, (110-220 Vol.) MK (UK), Lrgrand or Clipsal (Australia).
12	System Flexibility	Our system is full flexible, that you can change any bench to any other required area or other places, without losing any part of the system. Smart Flexible System.



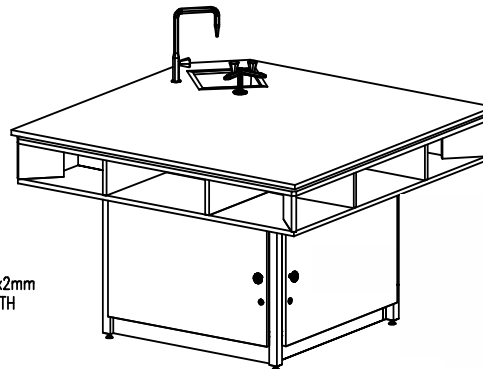




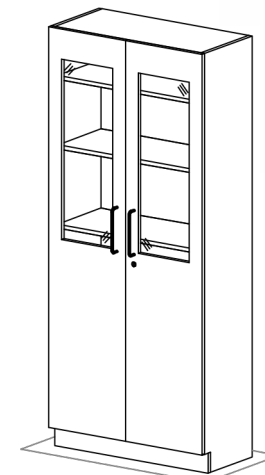
**TYPICAL PERSPECTIVE VIEW FOR TEACHER'S**



**PERSPECTIVE VIEW FROM REAR SIDE**



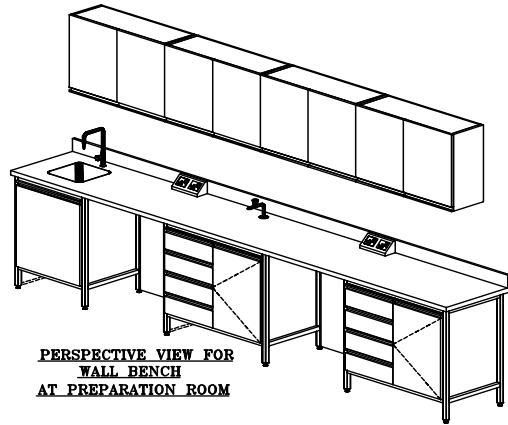
**PERSPECTIVE VIEW FROM FRONT SIDE**



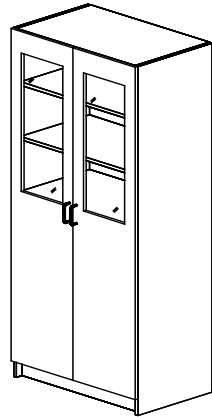
**PERSPECTIVE VIEW FOR TALL STORAGE CABINET WITH GLASS INFILT paneled doors CABINET SIZE, 900x450x2170mm.**



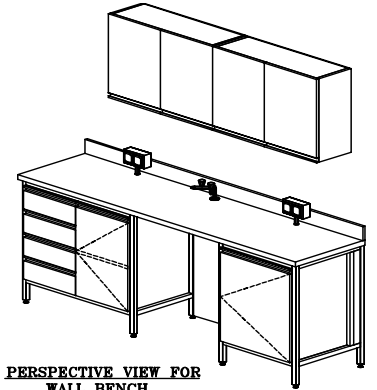
# MODEL HE-SCH-B



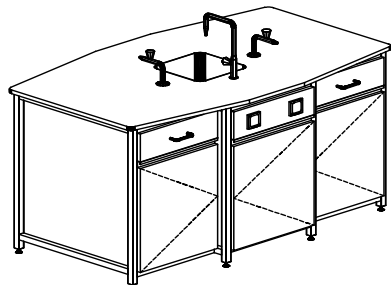
PERSPECTIVE VIEW FOR WALL BENCH AT PREPARATION ROOM



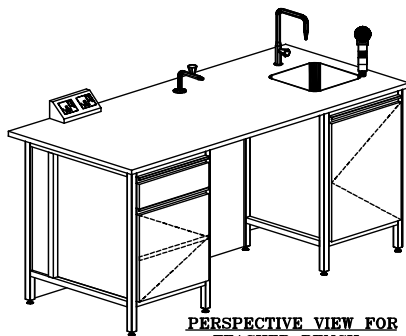
PERSPECTIVE VIEW FOR TALL STORAGE CUPBOARD



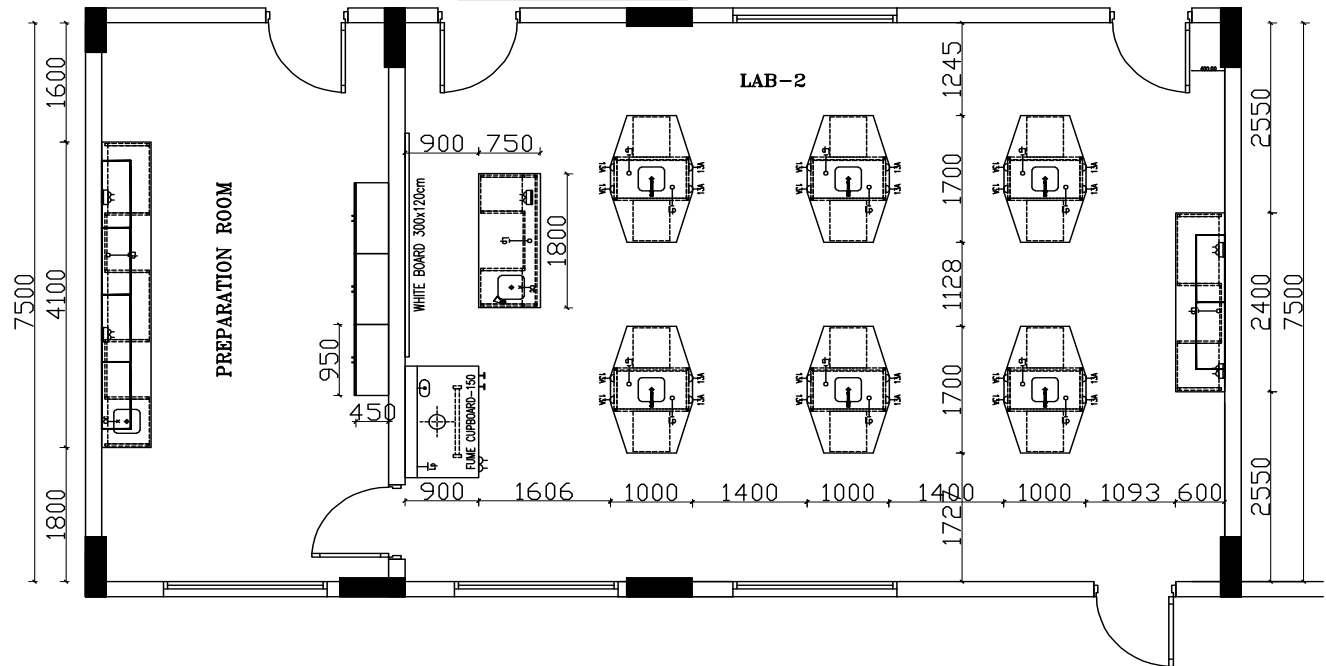
PERSPECTIVE VIEW FOR WALL BENCH AT LABORATORY



PERSPECTIVE VIEW FOR STUDENT BENCH



PERSPECTIVE VIEW FOR TEACHER BENCH



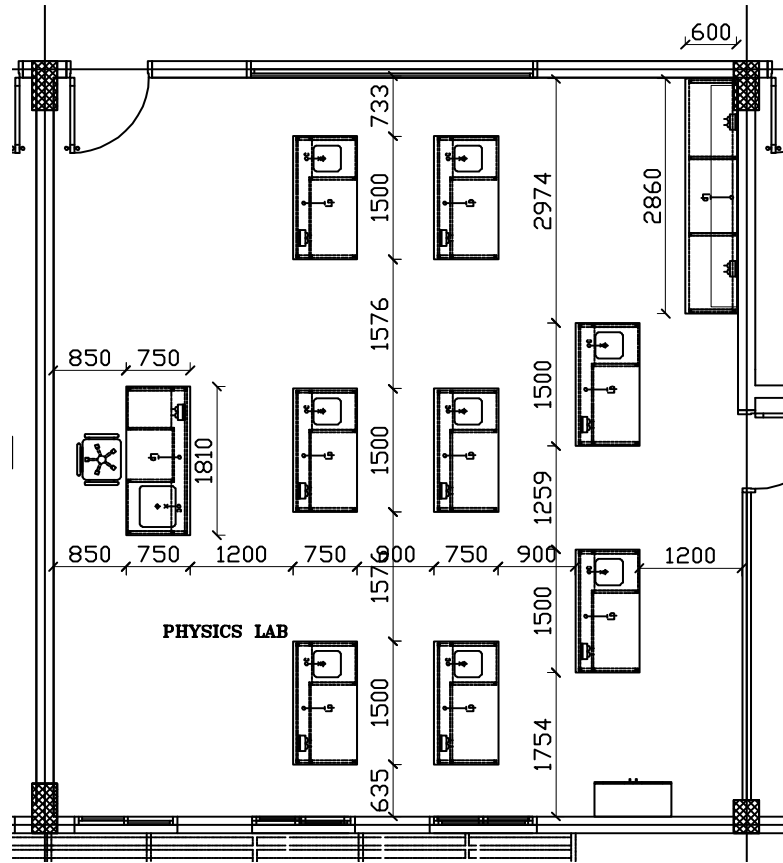
PLAN VIEW



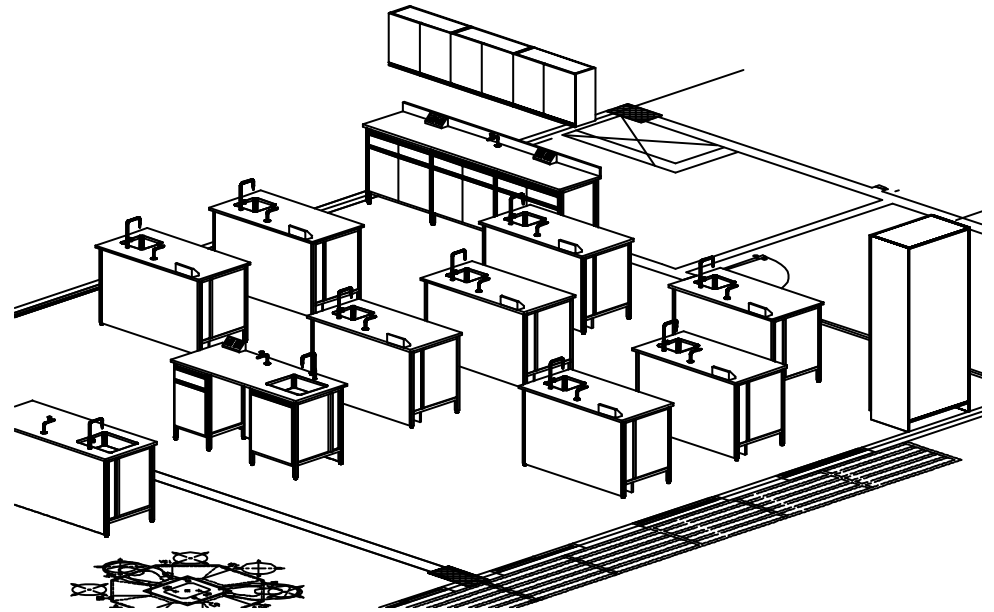




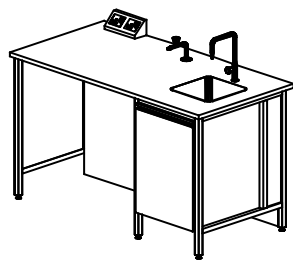
# MODEL HE-SCH-C



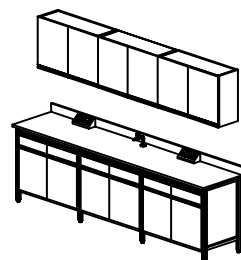
**PLAN VIEW**



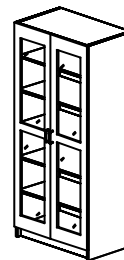
**PERSPECTIVE VIEW**



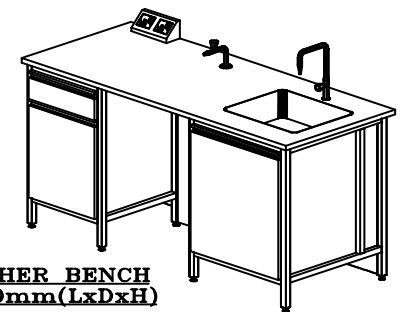
**TYPICAL STUDENT BENCH**  
1500x750x900mm(LxDxH)



**TYPICAL WALL BENCH**  
2860x600x900mm(LxDxH)



**TYPICAL TALL STORAGE CUPBOARD**  
900x500x2100mm(LxDxH)

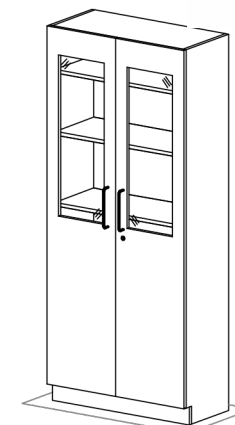
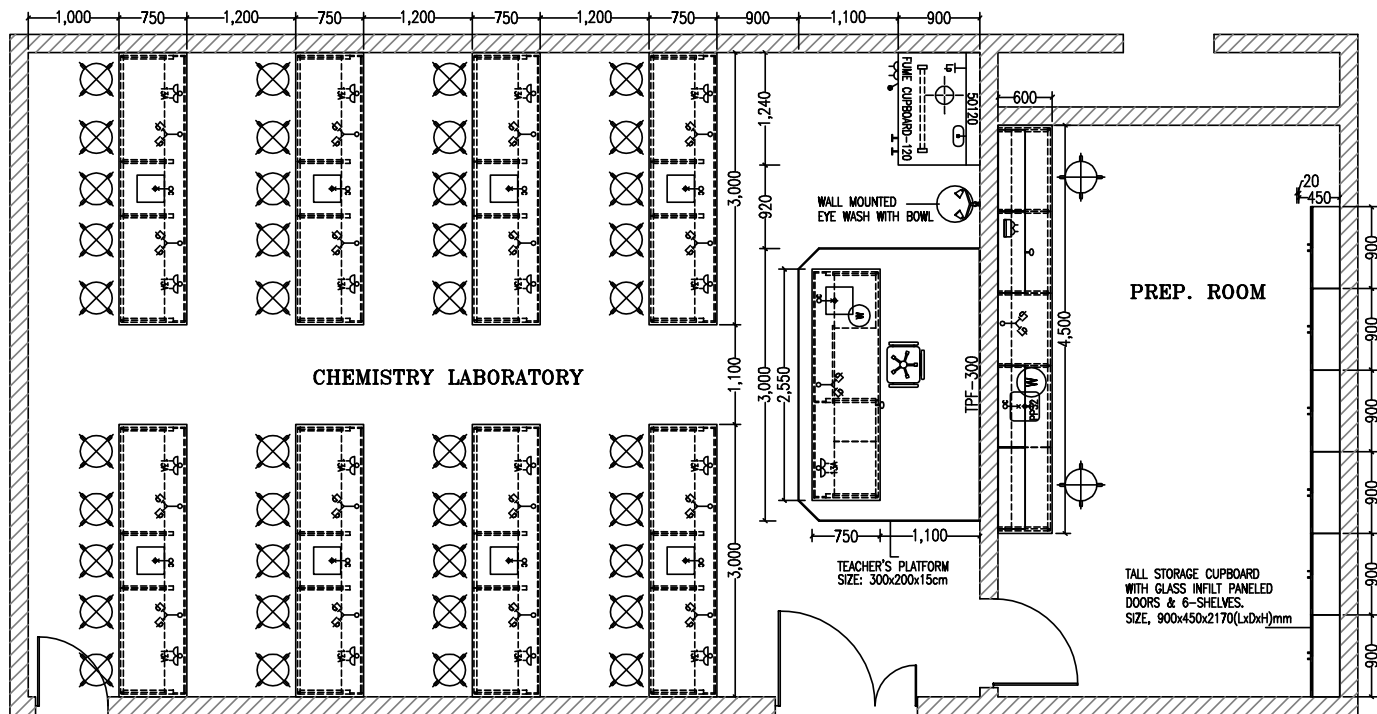


**TYPICAL TEACHER BENCH**  
1810x750x900mm(LxDxH)

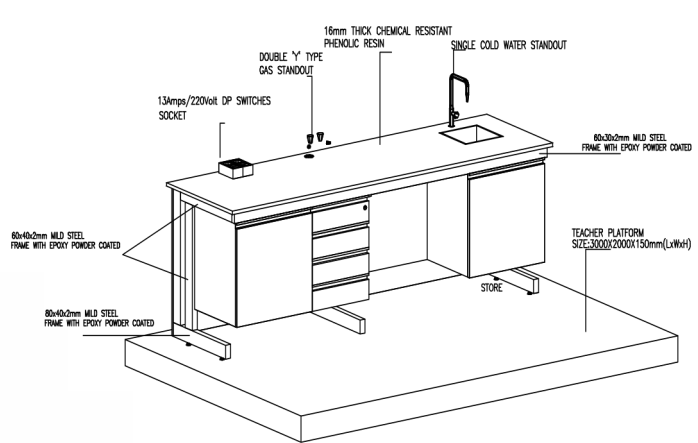




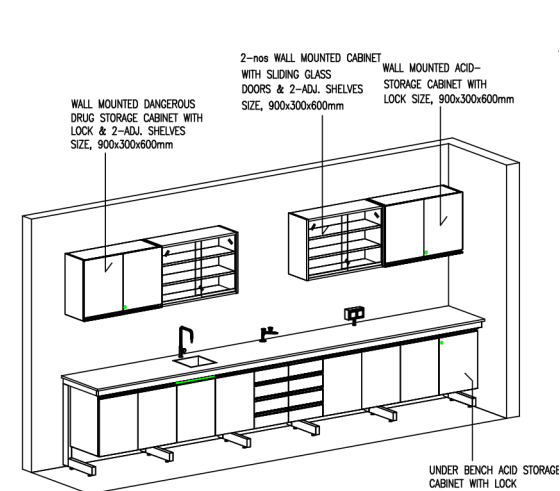
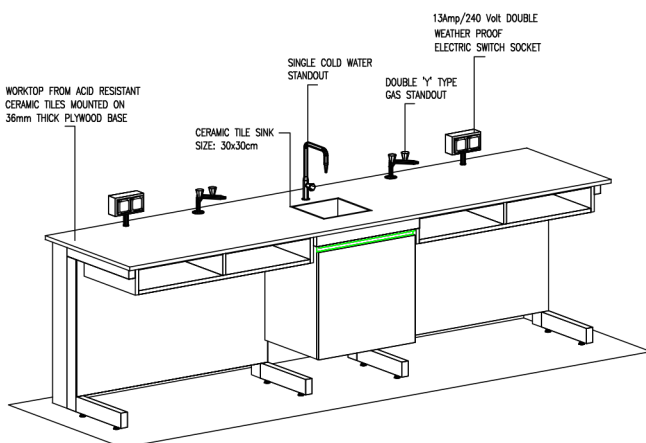
# MODEL HE-SCH-D



**PERSPECTIVE VIEW FOR TALL STORAGE CAB WITH GLASS INFILT paneled DOORS CABINET SIZE, 900x450x2170mm.**



**PERSPECTIVE VIEW FOR TEACHER BENCH BENCH SIZE, 2550x750x900mm.**

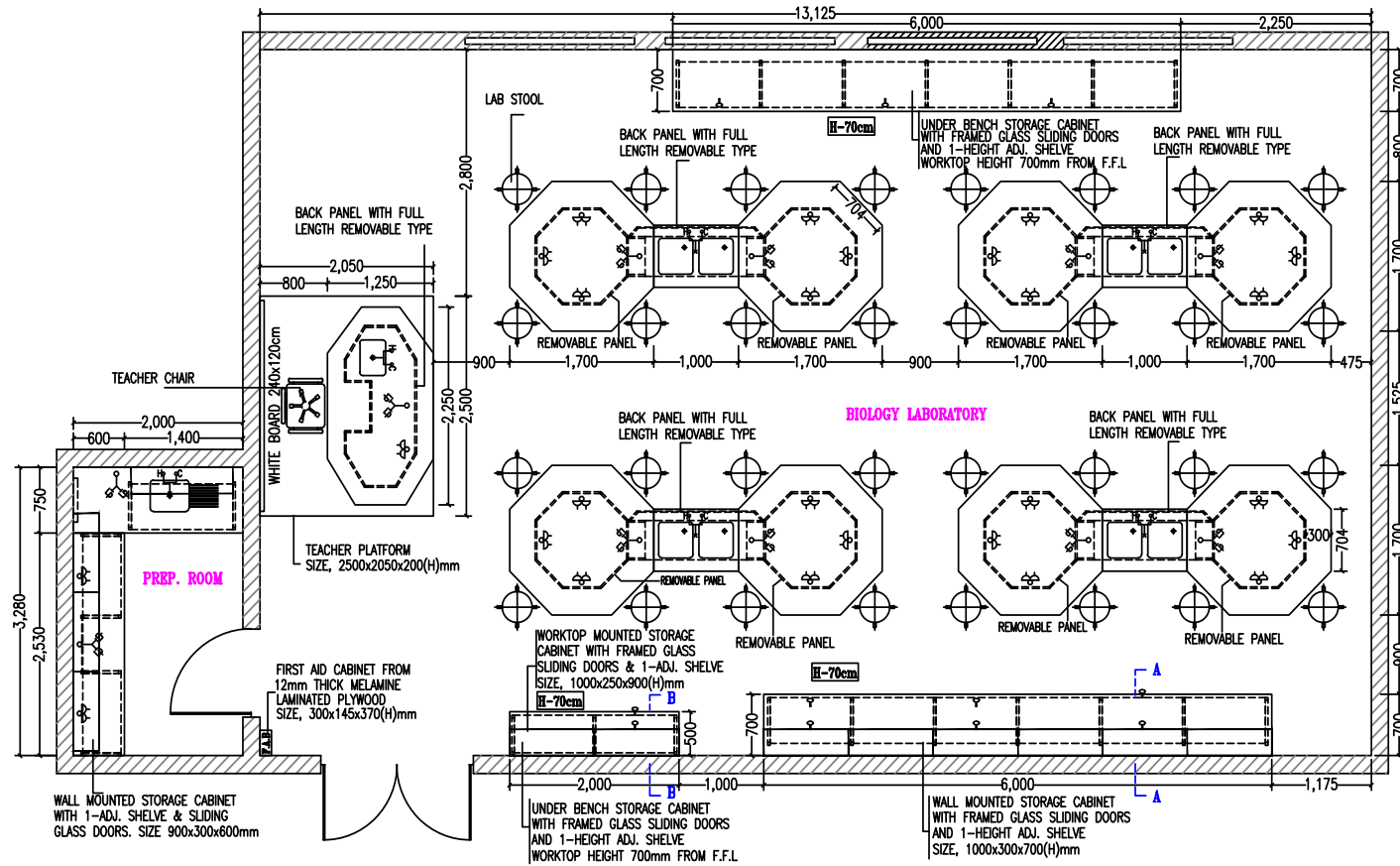


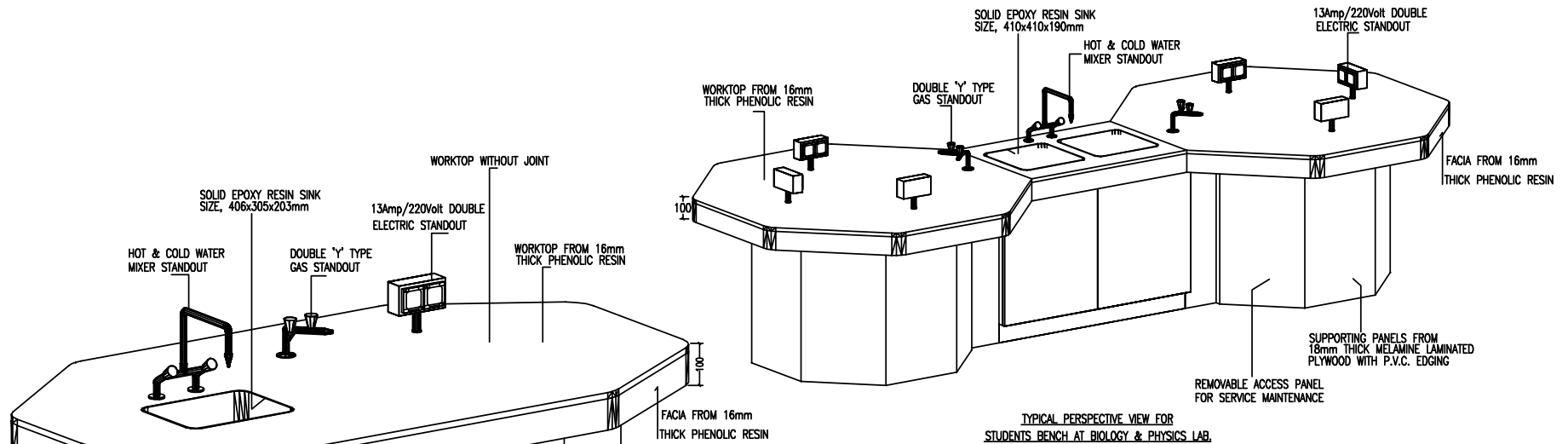
**TYPICAL PERSPECTIVE VIEW FOR WALL BENCH**





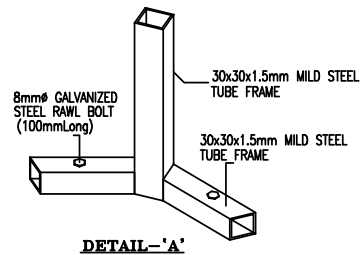
# MODEL HE-SCH-E



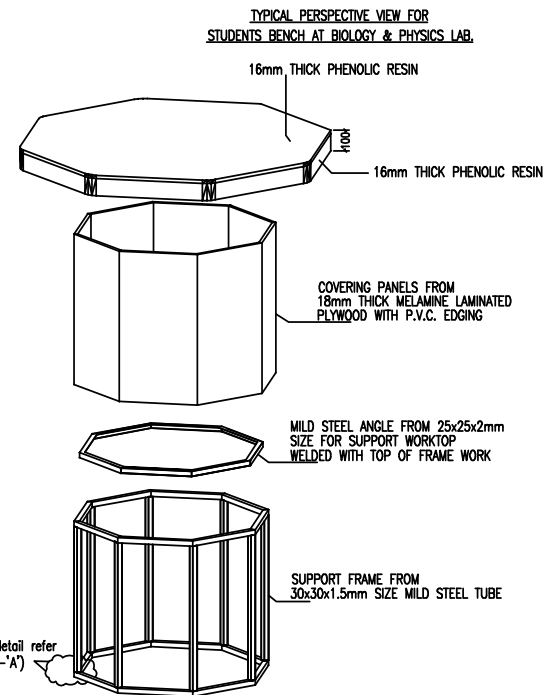


**TYPICAL PERSPECTIVE VIEW FOR  
TEACHER'S BENCH AT BIOLOGY & PHYSICS LAB.**

BOX TYPE FRAME WORK INSIDE AND COVERED FROM 18mm THICK MELAMINE LAMINATED PLYWOOD WITH P.V.C. EDGING



**DETAIL-'A'**



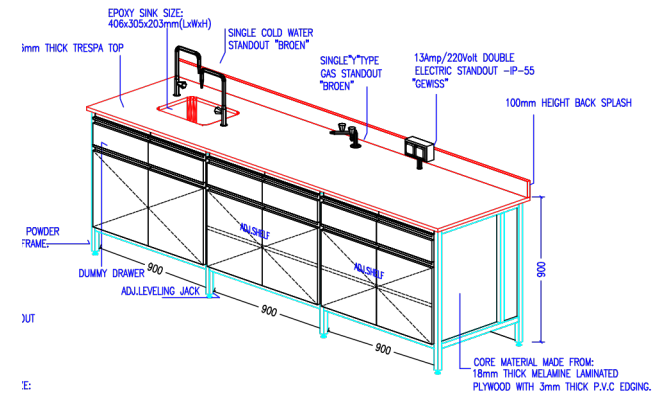
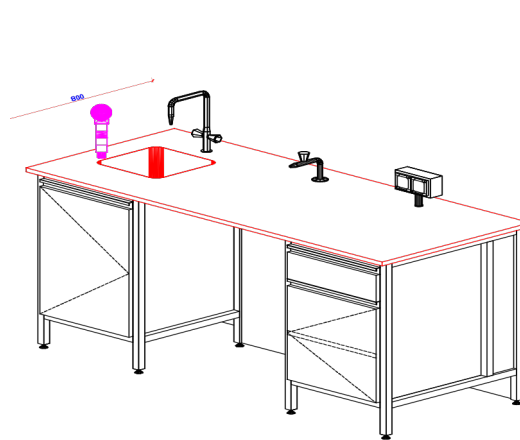
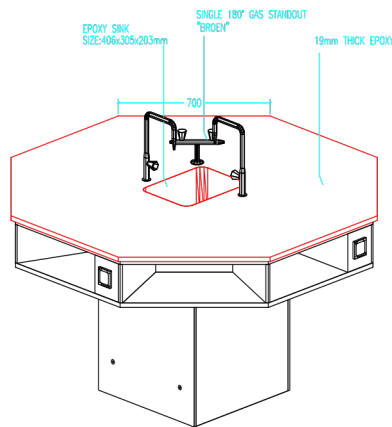
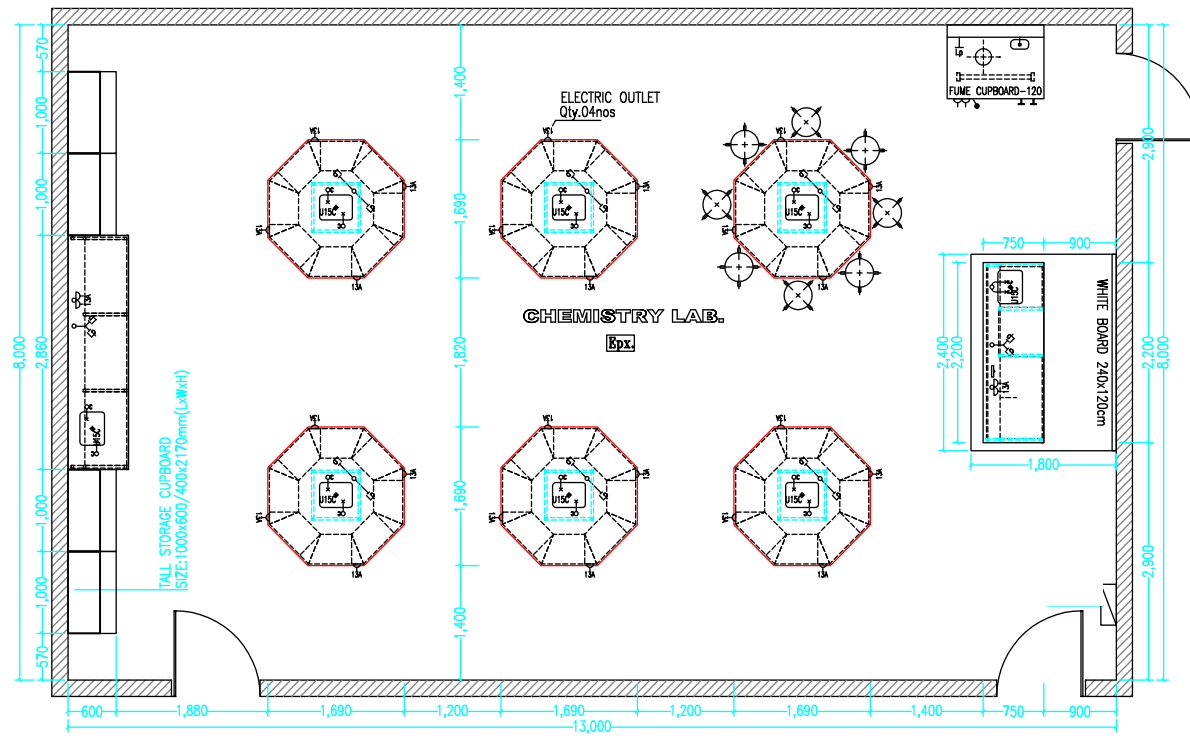
**TYPICAL DETAILED DRAWING FOR  
STUDENT'S BENCH (EXPLODED VIEW)**





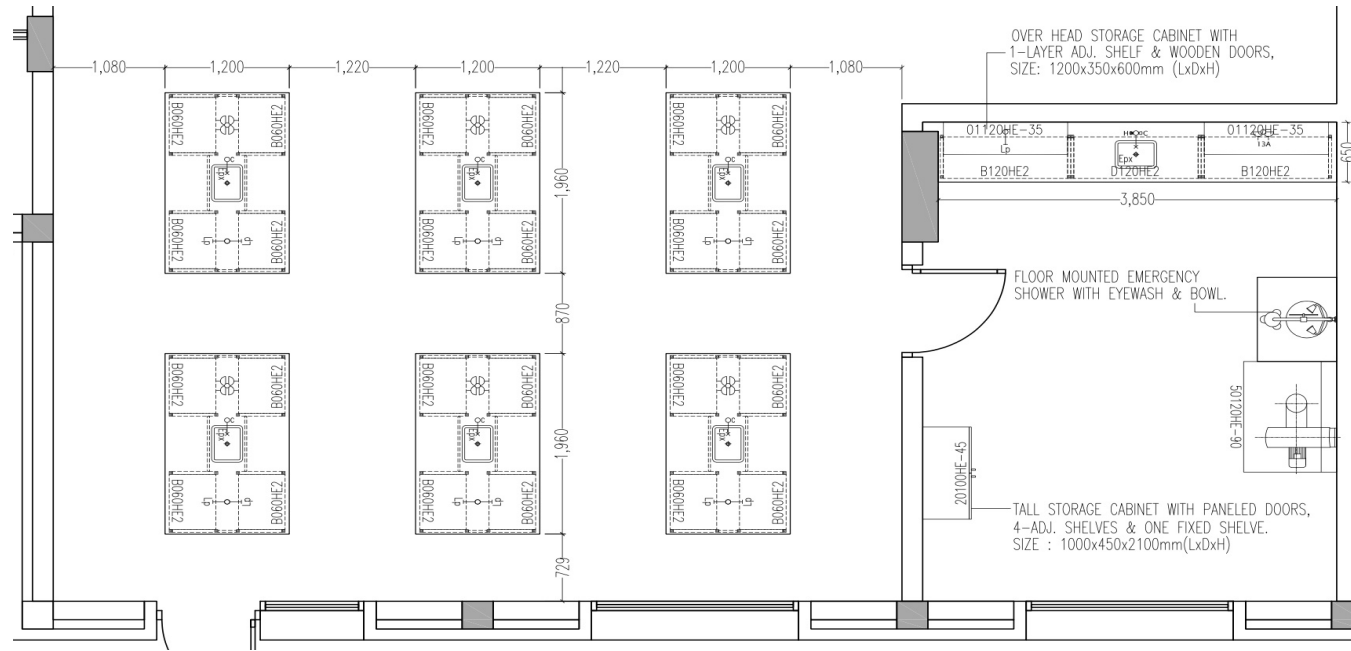


# MODEL HE-SCH-F

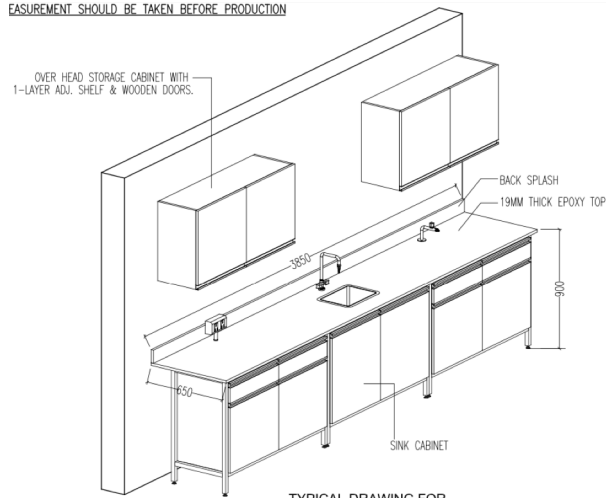




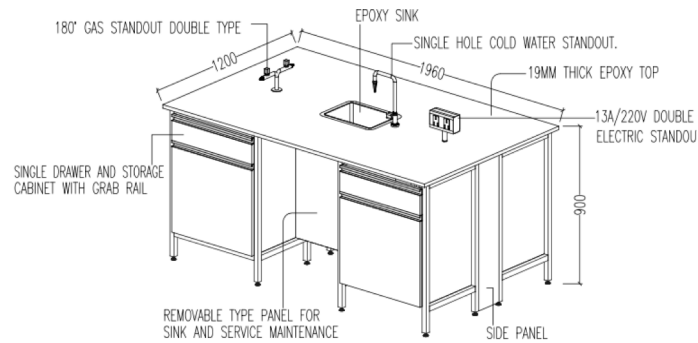
# MODEL HE-SCH-G



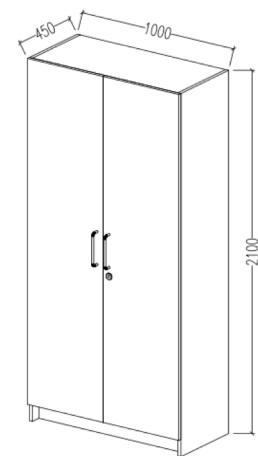
MEASUREMENT SHOULD BE TAKEN BEFORE PRODUCTION



TYPICAL DRAWING FOR WALL BENCH AT PREP ROOMS



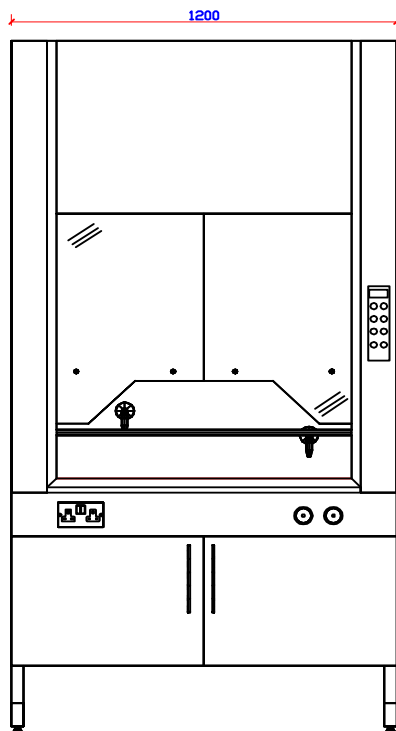
TYPICAL DRAWING FOR STUDENT BENCH AT LABS



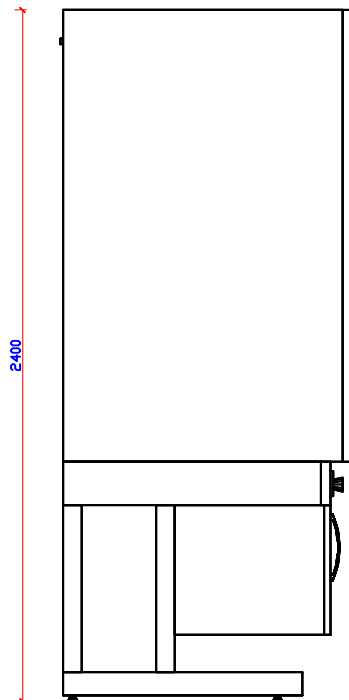
TYPICAL DRAWING FOR TALL STORAGE CABINET AT PREP. ROOM



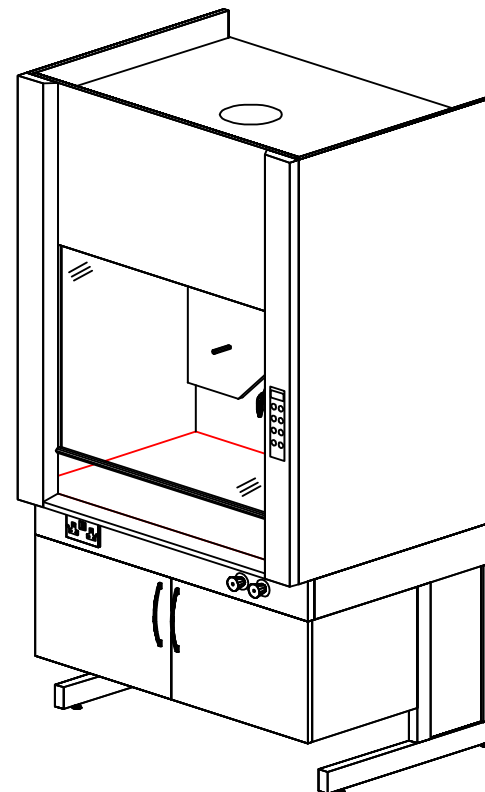
## General Purpose Educational Fume Hood



FRONT VIEW



SIDE VIEW



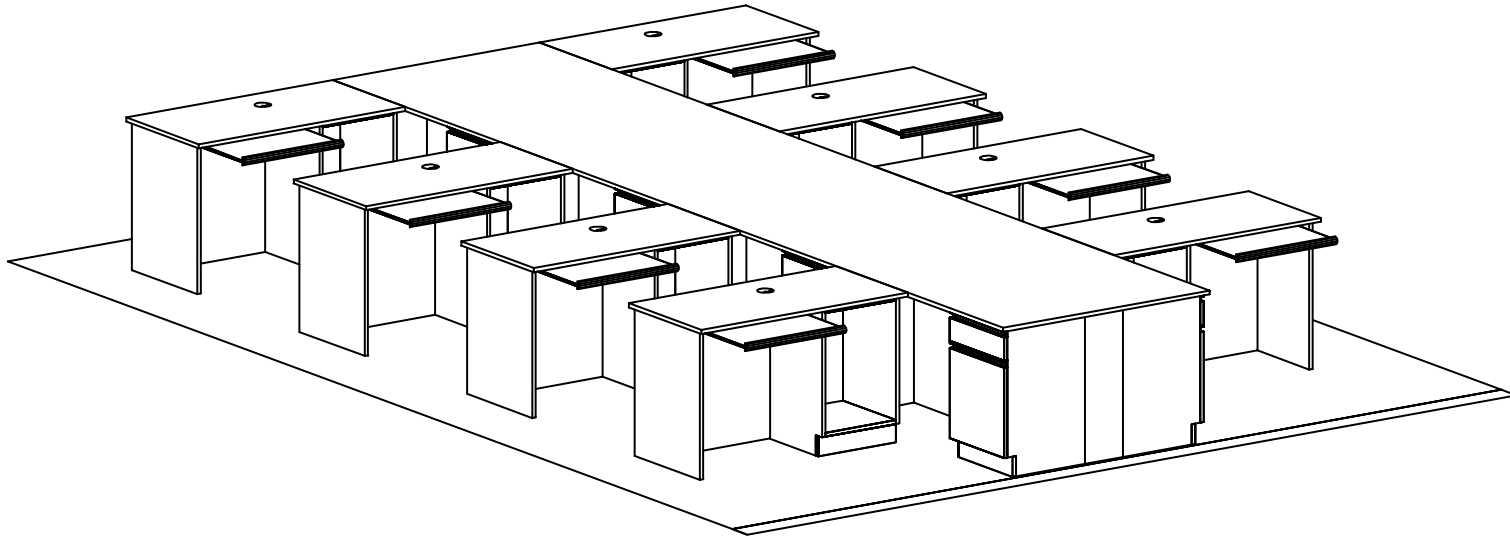
PERSPECTIVE VIEW

FUME CUPBOARD SIZE: 1200x900x2400mm(LxDxH)

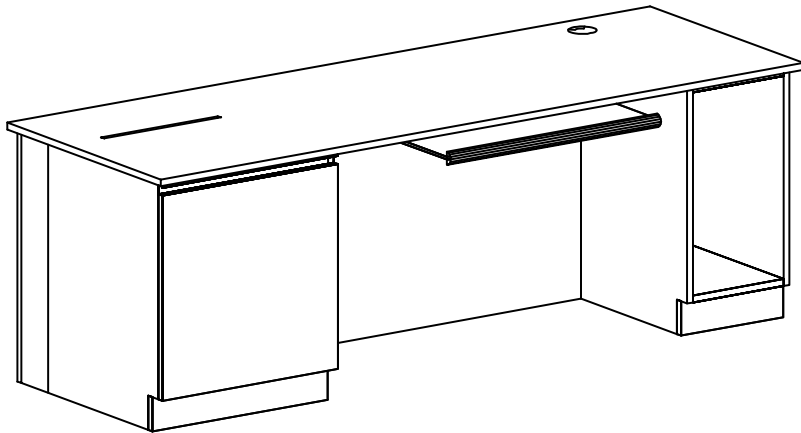




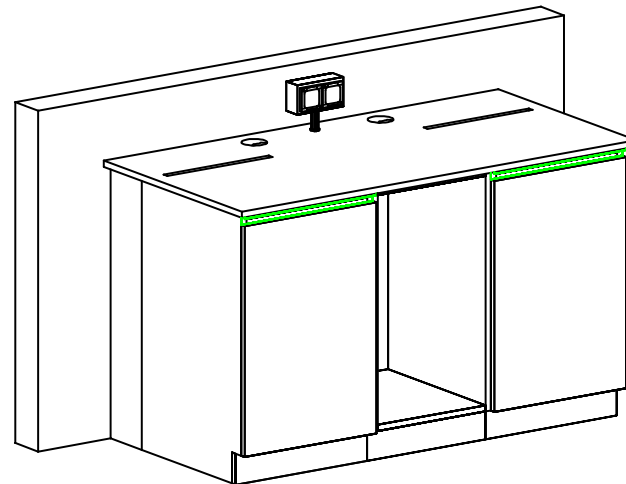




**TYPICAL PERSPECTIVE VIEW FOR  
STUDENT'S BENCH AT COMPUTER LAB.**



**TYPICAL PERSPECTIVE VIEW FOR  
TEACHER'S BENCH AT COMPUTER LAB.  
SIZE. 2200x750x750(H)mm**



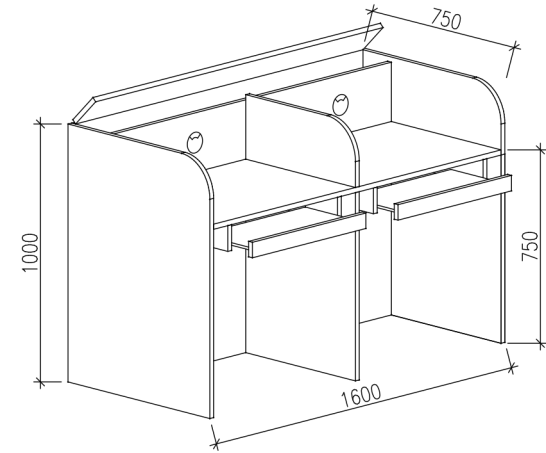
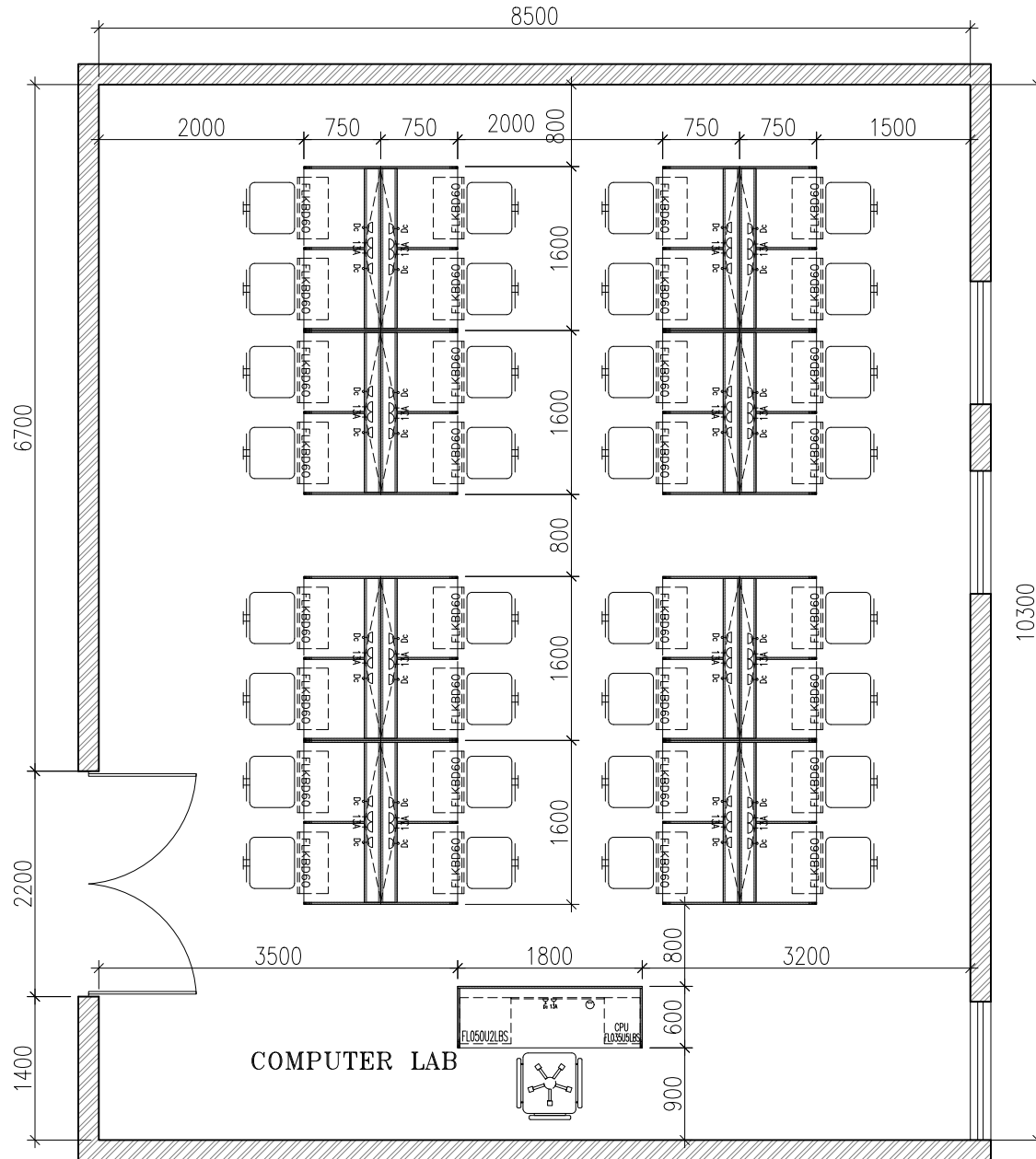
**TYPICAL PERSPECTIVE VIEW FOR  
PRINTER TABLE AT COMPUTER LAB.  
SIZE. 1700x750x900(H)mm**



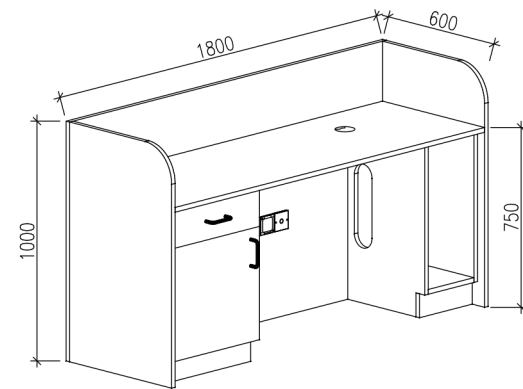




# Language Lab (HE-SCH-LL)



STUDENTS TABLE



TEACHER'S TABLE



















































# Herais

Lab Solutions

## **HERAIS INTERNATIONAL**

100 Bessemer Rd., London ON N6E 1R2 Canada

[www.herais.ca](http://www.herais.ca)

Tel: +1 519 701 8614

Email: [higt@windowlive.com](mailto:higt@windowlive.com)

[www.heraisprojects.com](http://www.heraisprojects.com)